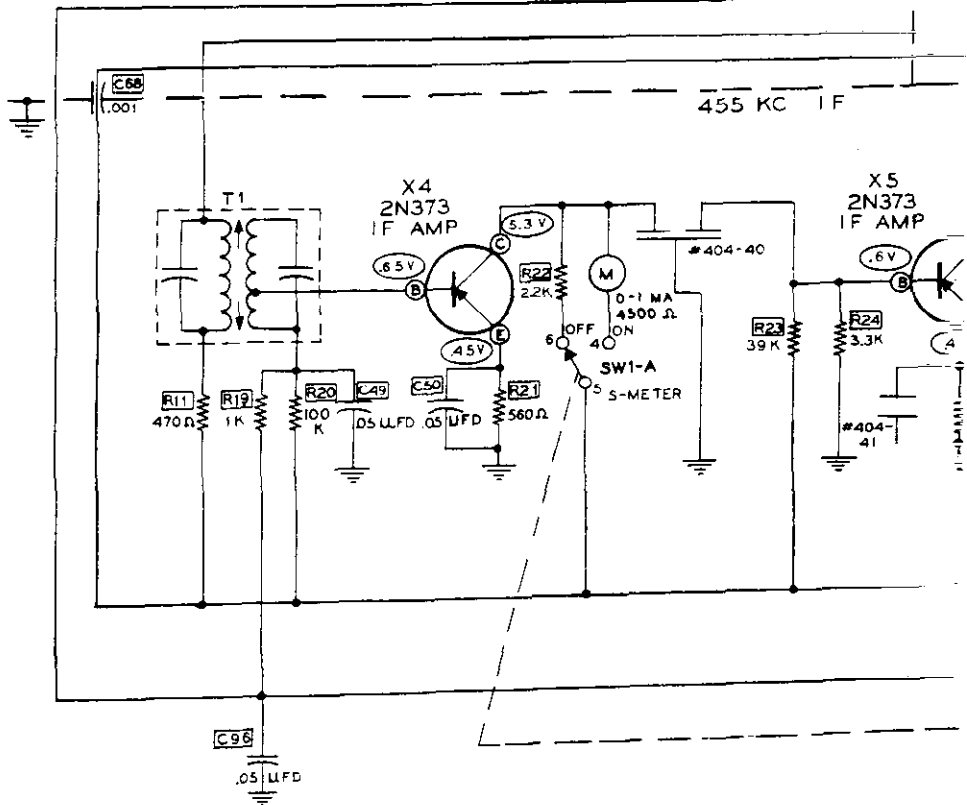
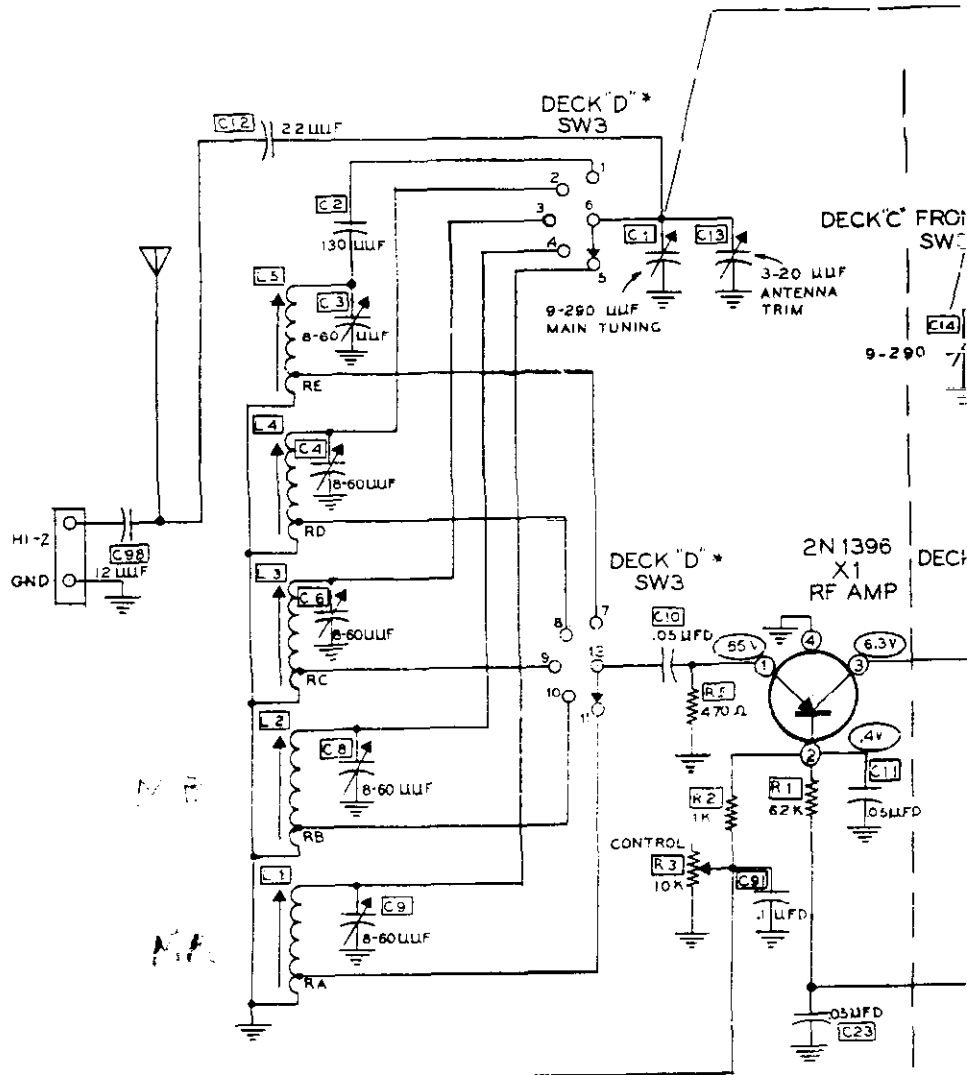
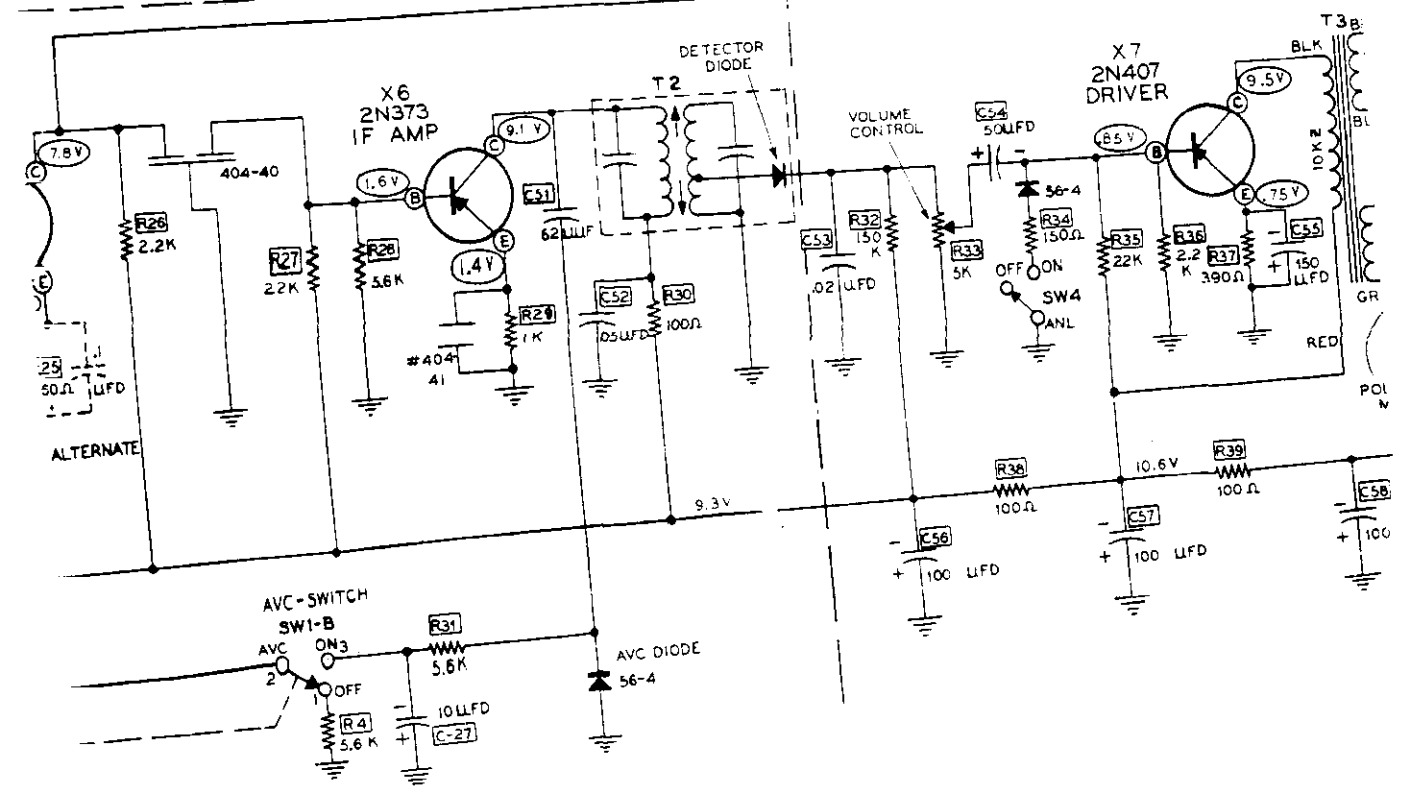
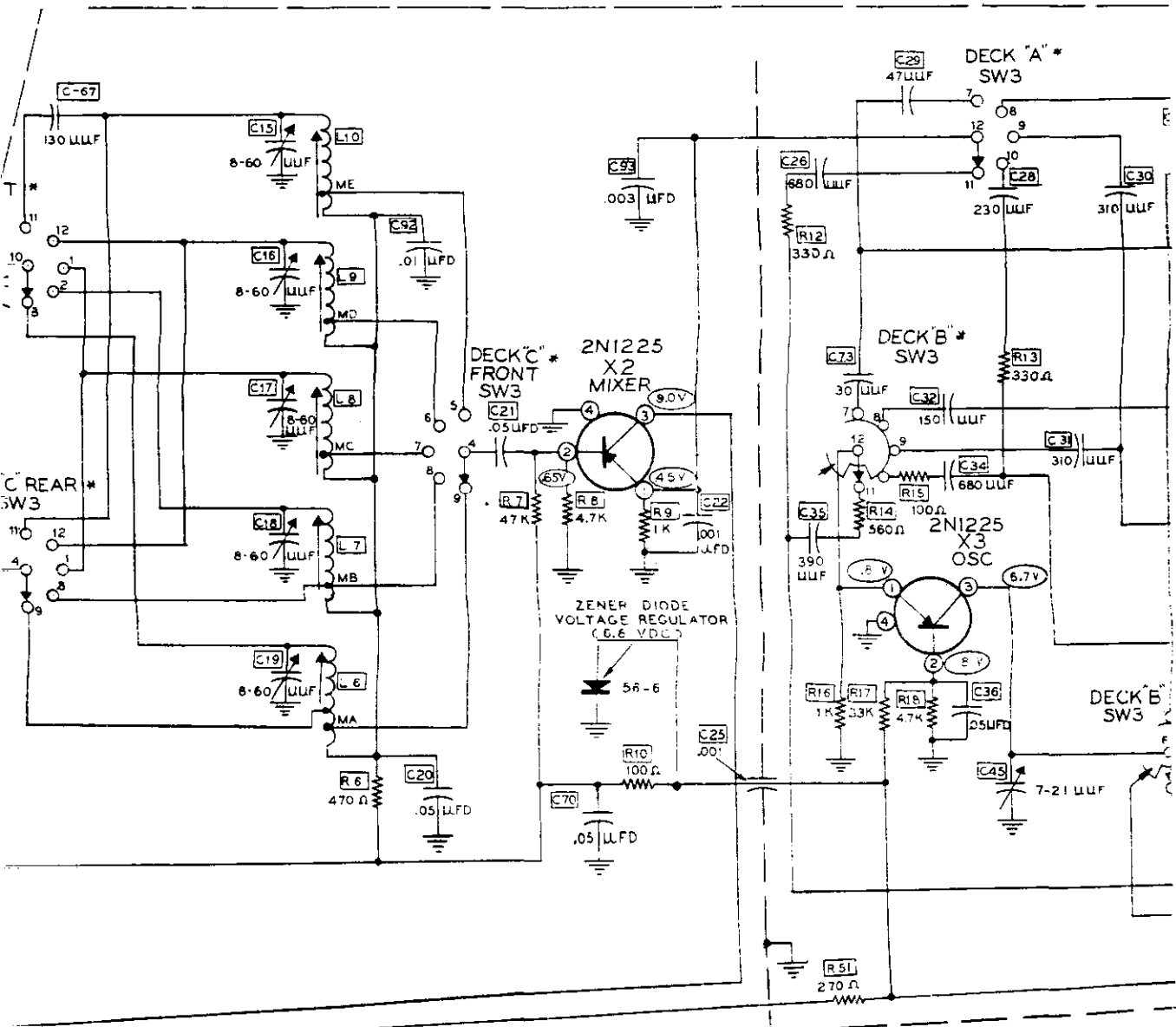
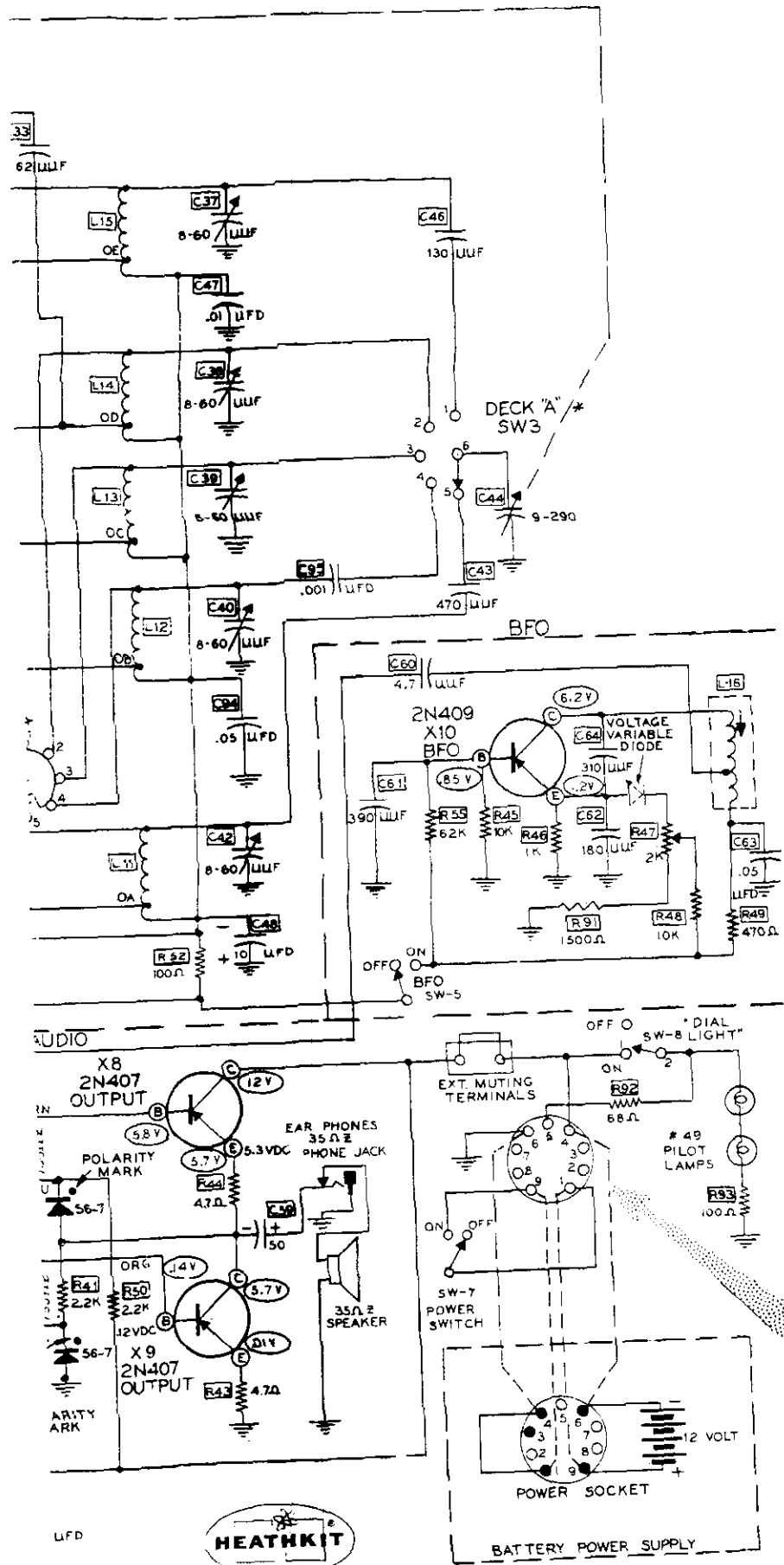


GENERAL COVERAGE RECEIVER
MODEL GC-1A

NOTE:
POWER PLI
IN REVERSI
TO MARKII
EXAMPLE
PIN #8 to P
PIN #8 to F
ALL VOL
NEGATIV
TO CHAT







GENERAL COVERAGE RECEIVER
 MODEL GC-1A